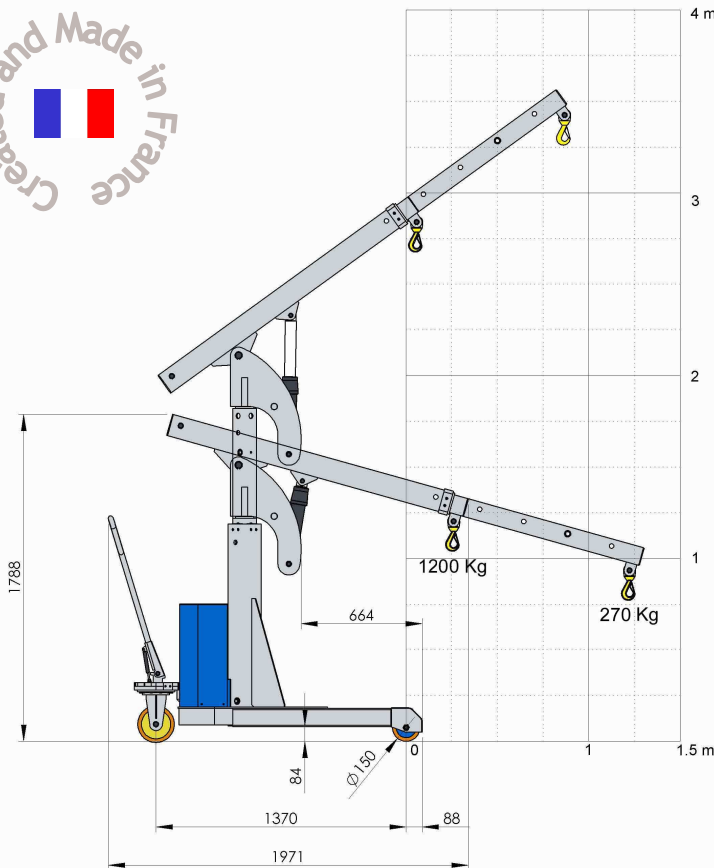


A sturdy conception for an industrial use
 Transportable on a trailer towed by a small truck, van
 or even a passenger car (subject to state traffic
 regulations of towed loads)

- Ultra compact
- Precise
- Easily steered
- Silent



Patented



Technical specifications

Maxi load	1250 kg
Unladen weight	565 kg
Batteries	12V - 80 Ah
Hydraulic power station engine	500 W

Series equipments

- Anti-tilt system
- Standard electro-hydraulic boom angling
- Wired remote control



Standard electro-hydraulic boom
angling