

⇒ **powerful**

Its kinematics principle allows an almost vertical lifting of two meters with a load of two tons.

⇒ **precise**

Its two hydraulic movements (raising, telescope) all have a fast speed and a slow speed.

⇒ **robust**

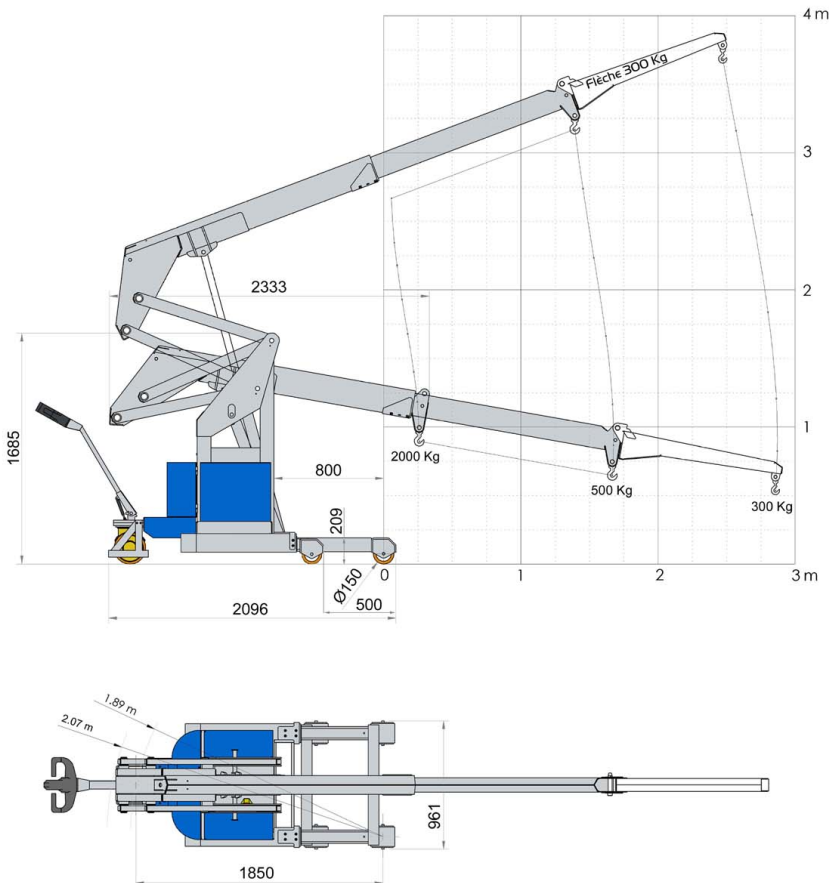
The main jack is included in the structure and the telescope jack is completely integrated in the jib.

⇒ **non polluting and self-sufficient**

Thanks to its traction batteries 24 V and its integrated charger (Option).



**LOAD DIAGRAM ONLY VALID
WITH THE FOOTING TAKEN OUT**



Technical specifications

Maxi load	2000 kg
Unladen weight	1200 kg
Admissible slope	2%
Maxi translation speed	3 km/h
Lifting speed adjustable from 0 to	15 cm/s
Telescoping speed adjustable from 0 to	13 cm/s
Batteries 24V	240Ah
Hydraulic power station engine	1.5 kW
Translation engine	1.1 kW

Series equipment

2 axes remote control (Lifting and Telescope)

Mobilev reserves the right to modify constantly and without notice the model describes in this catalogue