

⇒ **powerful**

Its kinematic principle allows an almost vertical lifting of two meters with a load of two tons.

⇒ **precise**

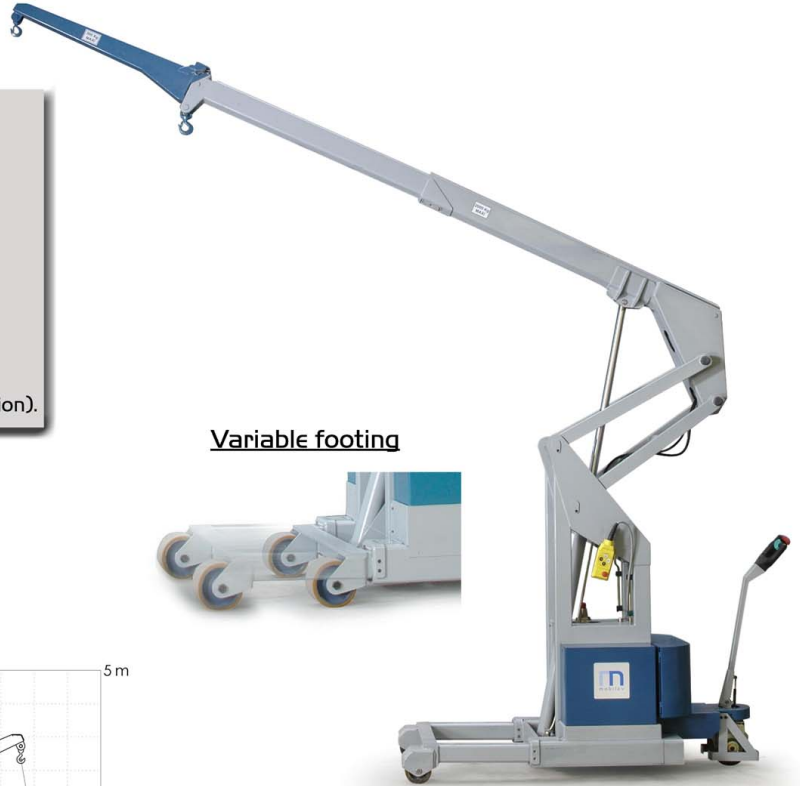
Its two hydraulic movements (raising, telescope) all have a fast speed and a slow speed.

⇒ **robust**

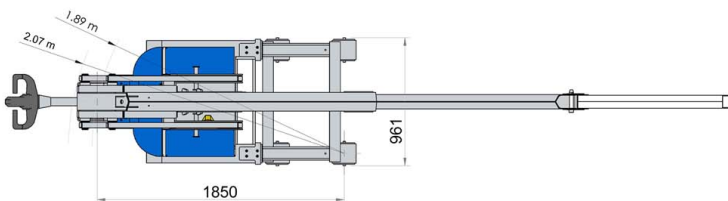
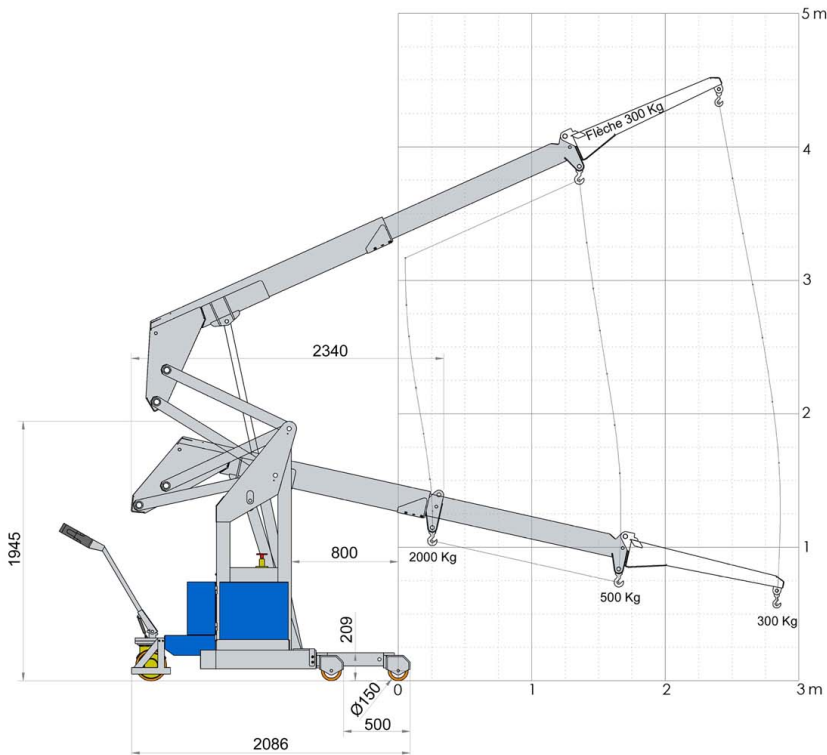
The main jack is included in the structure and the telescope jack is completely integrated in the jib.

⇒ **non polluting and self sufficient**

Thanks to its traction batteries 24 V and its integrated charger (option).



**LOAD DIAGRAM ONLY VALID WITH THE FOOTING TAKEN OUT**



**Technical specifications**

Maxi load .....	2000 kg
Unladen weight .....	1200 kg
Admissible slope .....	2%
Maxi translation speed .....	3 km/h
Lifting speed adjustable from 0 to .....	15 cm/s
Telescoping speed adjustable from 0 to .....	13 cm/s
Batteries 24V .....	240Ah
Hydraulic power station engine .....	1.5 kW
Translation engine .....	1.1 kW

**Series equipment**

2 axes remote control (Lifting and Telescope)

Mobilev reserves the right to modify constantly and without notice the model describes in this catalogue