

- **Powerful**

Its kinematic principle (Tranchero Patent) allows an almost 3m vertical lifting with a load of two tons.

- **Precise**

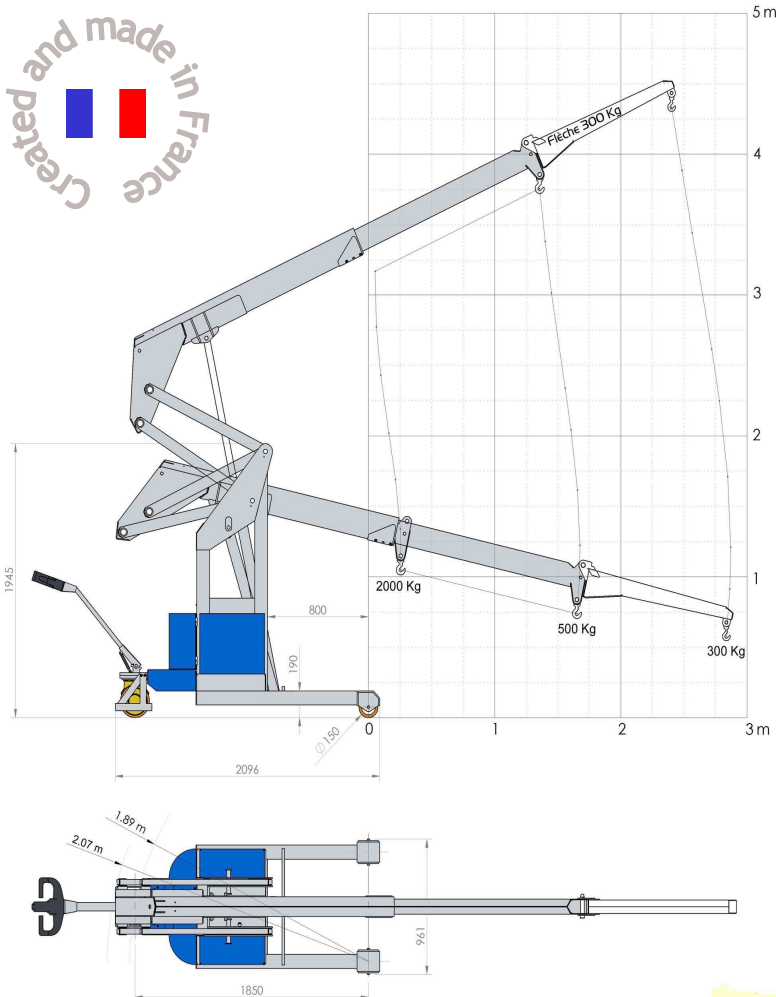
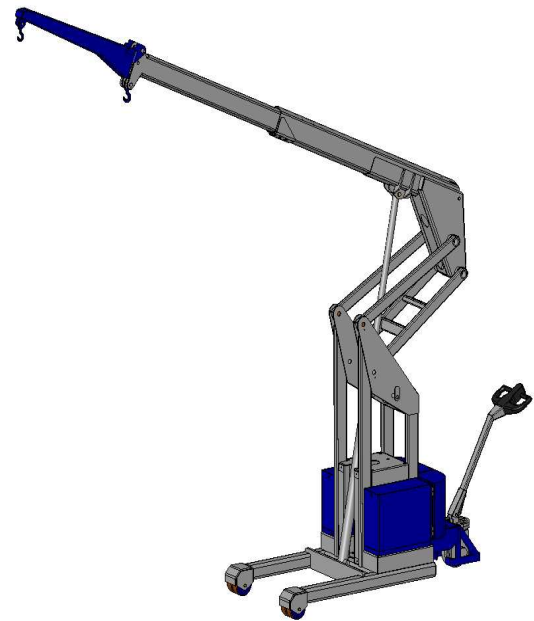
2 speeds (fast/slow) for each movement (forward/reverse, lifting, telescoping).

- **Sturdy**

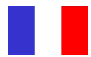
The main jack is included in the structure and the telescope jack is completely integrated into the jib.

- **Non polluting and self-sufficient**

Thanks to its 24V traction batteries and its integrated charger.



Created and made in France



## Technical specifications

Maxi load .....	2000 kg
Weight (crane unloaded).....	1200 kg
Admissible slope(crane unloaded).....	2 %
Maxi translation speed .....	3 km/h
Lifting speed adjustable from 0 to .....	15 cm/s
Telescoping speed adjustable from 0 to .....	13 cm/s
Batteries .....	24V – 240 Ah
Hydraulic power station engine .....	2,2 kW
Translation engine .....	0,6 kW

## Series equipments

Electrical traction  
Automatic braking system  
Automatic parking brake  
Anti-tilt system

2 axes wired remote control (lifting and telescoping)

## Main options

Additional jib 300 kg  
Wireless remote control