

- **Powerful**

Its kinematic principle (Tranchero Patent) allows an almost 3m vertical lifting with a load of three tons.

- **Precise**

2 speeds (fast and slow) for each movement (forward/reverse, lifting, telescoping).

- **Sturdy**

The main jack is included in the structure and the telescope jack is completely integrated into the jib.

The telescope, assembled on wheels, will not suffer any rubbing.

- **Multi task/adaptable**

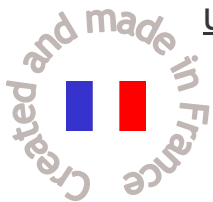
Its programmable controller allows integrating different options (additional hydraulic jib, winches...).

- **Non polluting and self-sufficient**

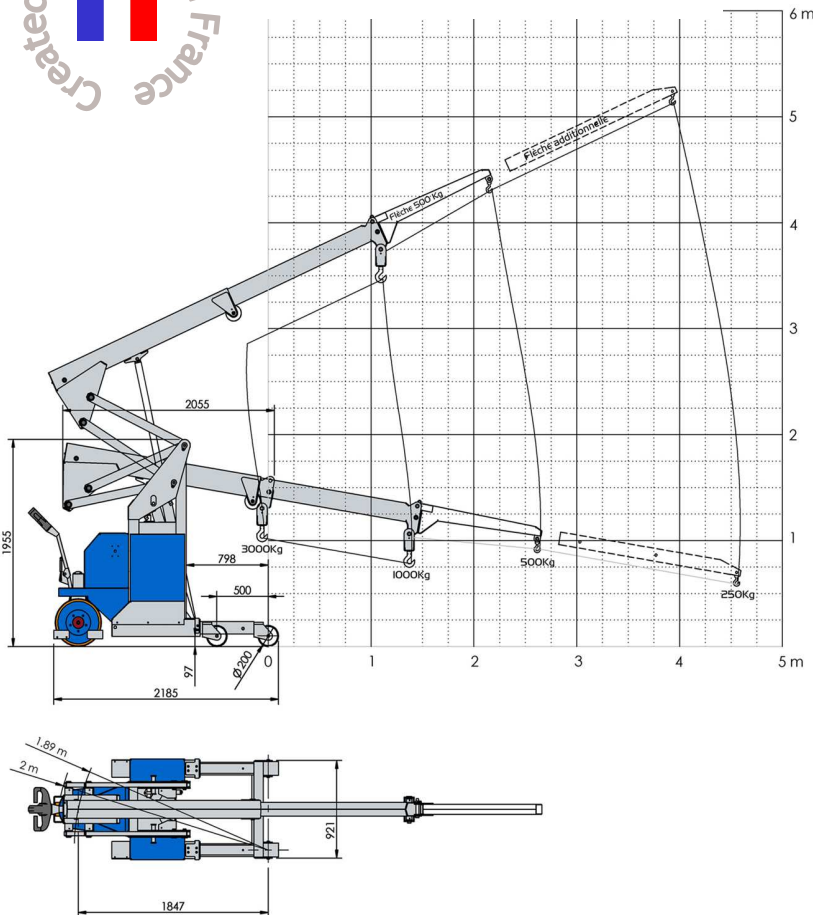
Thanks to its 24V traction batteries and its integrated charger.



Hydraulic variable wheelbase



Load diagram valid only with the variable wheelbase out



Technical specifications

Maxi load	3000 kg
Weight (crane unloaded).....	1800 kg
Admissible slope(crane unloaded).....	18 %
Maxi translation speed	3 km/h
Lifting speed adjustable from 0 to	15 cm/s
Telescoping speed adjustable from 0 to	13 cm/s
Batteries	24V - 460 Ah
Engine 24V dc	3 kW

Series equipments

- Hydraulic variable wheelbase
- Anti-tilt system
- Hydraulic wheel drive
- Hydraulic automatic braking system
- Automatic parking brake
- Integrated battery charger
- 2 axes remote control (lifting and telescoping) with potentiometer to adjust speed

Main options

- Additional jib 500 kg
- Additional jib with manual telescope 500/350 kg
- Additional jib with manual telescope 350/250 kg
- Additional hydraulic jib
- Winches 100kg and 500kg
- Plate with lateral tipping