

## ⇒ powerful

Its kinematics principle allows an almost vertical lifting of three meters with a load of three tons.

## ⇒ precise

Its three hydraulic movements (translation, raising, telescope) all have a fast speed and a slow speed.

## ⇒ robust

The main jack is included in the structure and the telescope jack is completely integrated in the jib.

The telescope, assembled on wheels, is not subjected to rubbing.

## ⇒ polyvalent

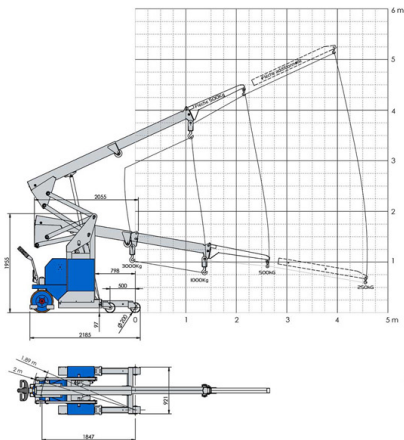
Its programmable automaton permit to integrate numerous tools (prehensibles, winches).

## ⇒ non polluting and self-sufficient

Thanks to its traction batteries 24 v and its integrated charger.



### LOAD DIAGRAM ONLY VALID WITH THE FOOTING TAKEN OUT



## Technical specifications

Maxi load .....	3000 kg
Unladen weight .....	1800 kg
Admissible slope (unladen) .....	18%
Maxi translation speed .....	3 km/h
Lifting speed adjustable from 0 to .....	15 cm/s
Telescoping speed adjustable from 0 to .....	13 cm/s
Batteries 24V .....	400Ah
Engine 24 V CC .....	3 kW

## Series equipment

2 axes remote control (Lifting and Telescope)

## Principal options

Terminal jib 500 kg  
Manual telescope 500/350 kg  
Manual telescope 350/250 kg