

➔ **Powerful**

Its kinematics principle allows an almost vertical lifting of three meters with a load of three tons.

➔ **Precise**

Its three hydraulic movements (translation, raising, telescope) all have a fast speed and a slow speed.

➔ **Robust**

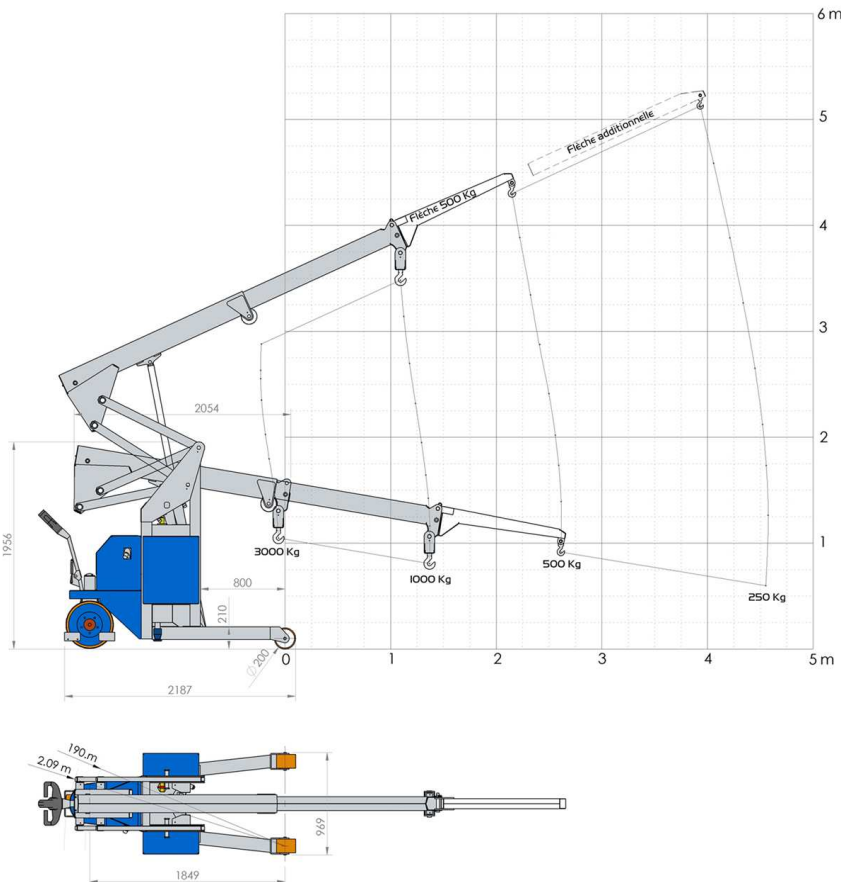
The main jack is included in the structure and the telescope jack is completely integrated in the jib. The telescope, assembled on wheels, is not subjected to rubbing.

➔ **Polyvalent**

Its programmable automaton permit to integrate numerous tools (additional hydraulic jib, winches, ....).

➔ **Non polluting and self-sufficient**

According to its traction batteries 24V and its integrated charger.



**Technical specifications**

Maxi load .....	3000 kg
Unladen weight .....	1800 kg
Unladen admissible slope .....	18 %
Maxi translation speed .....	3 km/h
Lifting speed adjustable from 0 to .....	15 cm/s
Telescoping speed adjustable from to ...	13 cm/s
Batteries .....	24V - 400 Ah
Engine 24V dc .....	3 kW

**Series equipments**

- Anti bascule system
- Hydraulic wheel drive
- Hydraulic automatic braking system
- Automatic parking brake
- Integrated battery charger
- 2 axes remote control (lifting and Telescope)

**Main options**

- Additional jib 500 kg
- Additional jib with manual telescope 500/350 kg
- Additional jib with manual telescope 350/250 kg
- Additional hydraulic jib
- Winches

**Mobilev**

Parc industriel du Maréchat  
Rue Albert Einstein  
BP 60 162  
63204 RIOM Cedex

Tél: +33 (0) 473 644 800

Fax: +33 (0) 473 631 764

E-mail: [mobilev@mobilev.fr](mailto:mobilev@mobilev.fr)

[www.mobilev.tm.fr](http://www.mobilev.tm.fr)