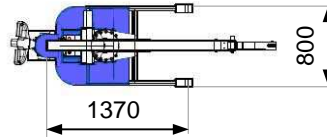
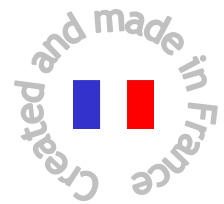


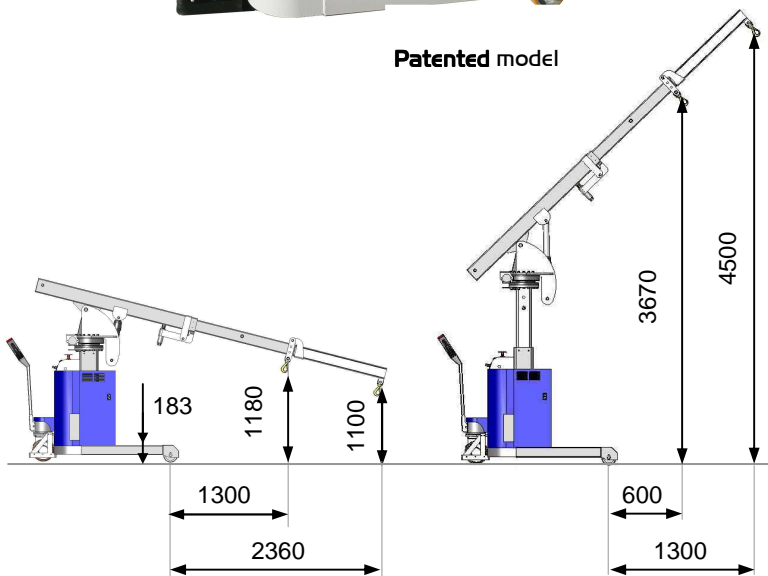
# Technical sheet I2MO Evolutive v2

Self-propelled mini-crane with accompanying operator

Updated March 15, 2013



Patented model



## Technical specifications

Maximal load .....	1250 kg
Unladen weight (Full option) .....	1000 kg
Traction batteries .....	24V – 180 Ah
Hydraulic power station engine .....	2 kW
Translation power engine (option) .....	0,7 kW

## Series equipments

Hydraulic inclination of the jib by double acting jack  
 2 to 4 axes wired remote control with emergency stop  
 2 speeds

Hour meter and battery charge indicator

Polyurethane coating wheels

Hydraulic & electric safety devices

Anti-tilt system

## Options

Electric traction with variable speed drive unit

Hydraulic rotary mast 18°

Hydraulic vertical mast stroke 600mm

Hydraulic telescope

Additional jib lg=1m00

Additional jib lg=0m35



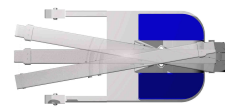
Hydraulic inclination of the jib



Hydraulic vertical mast stroke 600 mm



Hydraulic telescope



Mast rotation (18° without stabilizers)



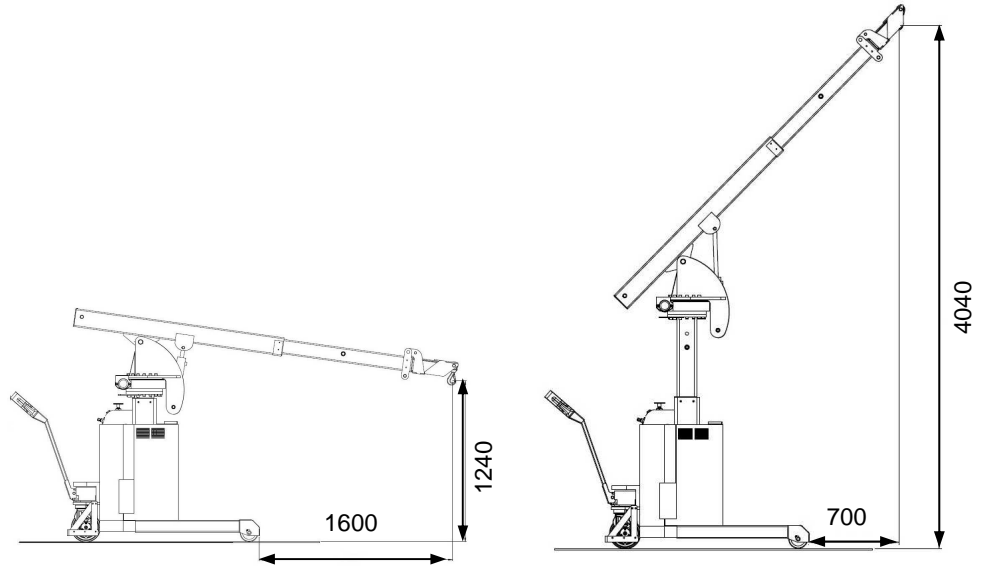
Electric traction

# Technical sheet I2MO Evolutive v2

Self-propelled mini-crane with accompanying operator



4 axes wired remote control

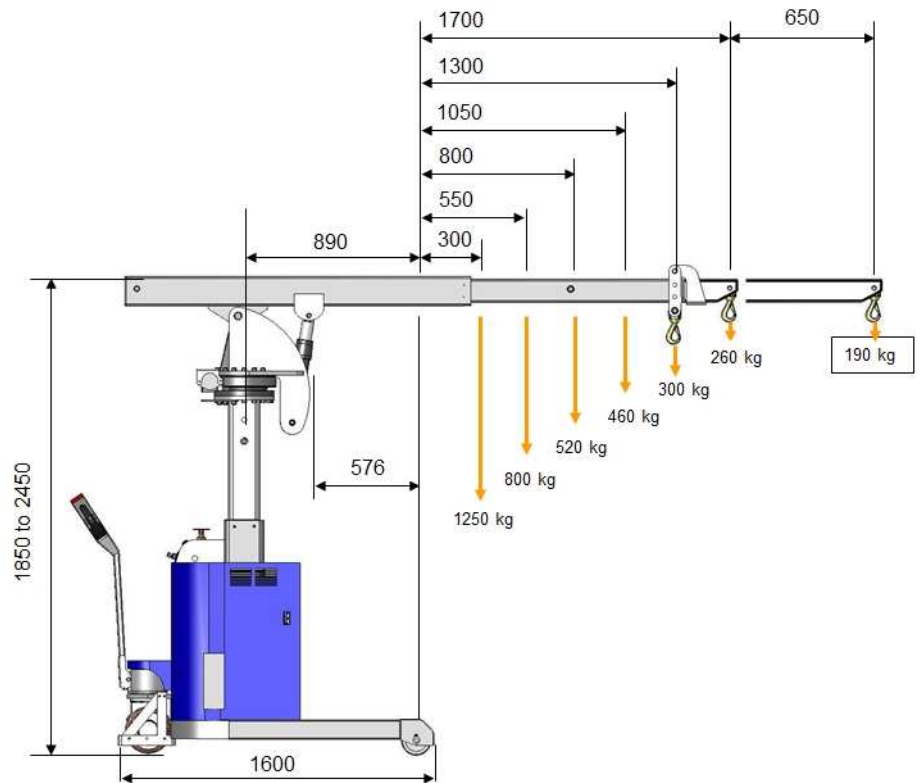


With additional jib lg=0m35

This mini-crane has won the Artinov Innovation price



Dashboard



I2MO Evolutive V2 diagram (mast in or out)